



ZERO BEAT

Southeastern Massachusetts
Amateur Radio Association, Inc.
54 Donald Street
South Dartmouth, MA 02748



OUR 74th YEAR

Volume 42, Issue 8

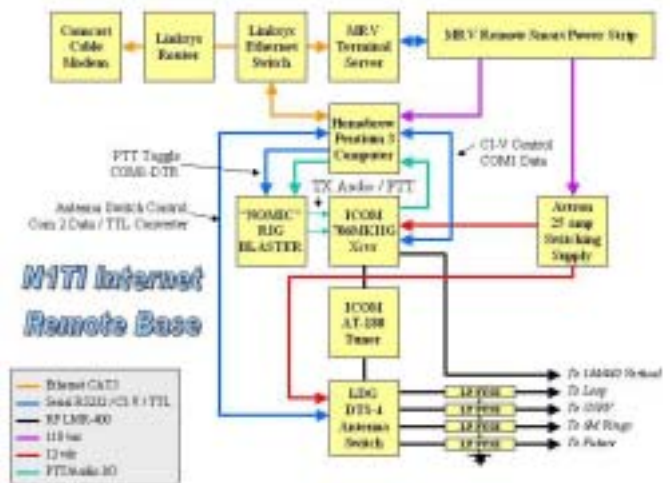
SEMARA W1AEC

August 2006

160m Mobile: on a Full Wave Loop

Tim Smith, N1TI gave his presentation to a compact group of Tech Talk *afficionados*. The dozen or so attendees must have been real *amateurs* to endure the hot and humid interior of the clubhouse on July 20. Seriously, the group was very attentive and enjoyed learning how Tim is able to operate 160m thru 440 while traveling down the interstate at the legal speed limit.

His secret is that he uses a laptop to implement "Internet Remote Operation" of his home station. Specifically, he uses a Verizon PC5740 air-card to connect to wireless broadband while on the go. This is shown schematically in the diagram below.



The startup sequence could be programmed as a macro command. First connect to the Remote Power Server; turn on the PC and IC-706; bring up the Skype client, then Ham Radio Deluxe, and finally connect to the IC-706.

He gave us an on-the-air demo. He tuned HF and even worked thru his laptop mike to his home 2m antenna to bring up 147.000 and talk with us in the clubhouse. The picture shows his current remote base prototype. Pretty neat, huh!?



The software is available free.

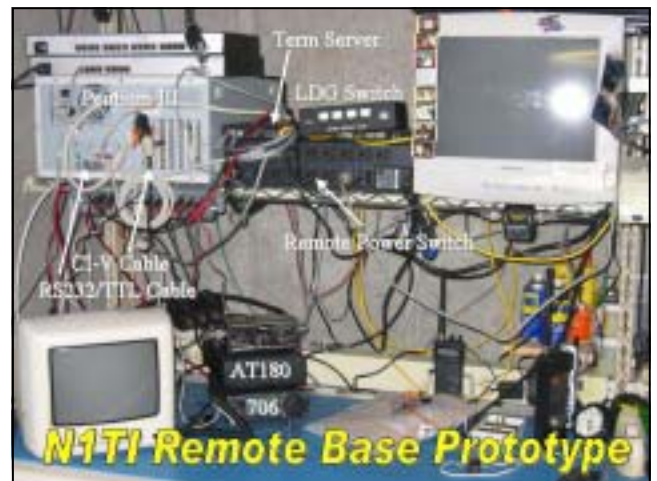
Real VCN allows remote control of the host computer: <http://www.realvcn.com>

Ham Radio Deluxe controls most of the functions of the IC-706: <http://hrd.ham-radio.ch>

Skype provides bi-directional (VoIP) audio: <http://www.skype.com>

Tim uses a small Visual Basic program to control the antenna switch. All this is shown in the diagram for his "Internet Remote Base."

You will need a CI-V compatible connection between the computer and the IC-706.



ZERO BEAT

<http://zerobeat.semara.org>

Published online monthly by the
**Southeastern Massachusetts
 Amateur Radio Association, Inc.**
 54 Donald Street,
 South Dartmouth, MA 02748
 (508) 997-7070

Website: <http://www.semara.org>

E-mail: clubinfo@semara.org

EDITOR

Robert B. Kelley, K1KVV
 Phone: (508) 758-6311
 E-Mail: editor@semara.org

2006 SEMARA OFFICERS

President

Rick Cabral, W1RJC

Vice President

Dave Goldstein, W1DJG

Secretary

Ronald Silvia, WB1HGA

Treasurer

Scott Szala, W1EV

Board of Directors:

Bill Miller, K1IBR
 Carl Bredberg, K1KID
 Tim Smith, N1TI

Trustees: (year term is up)

Andrew Reuter, WA1FNM (2006)-Ch
 William Miller, Jr., K1IBR (2007)
 Larry Houbre, Jr., AA1FS (2008)
 Bill Vincent, W1POW (2009)
 Don Manley, N1PMB (2010)

STANDING COMMITTEES

Building and Grounds

Mike Miller, N1ITQ

Scholarship

Larry Houbre, Jr., AA1FS

Technical

Roland Daignault, N1JOY

SPECIAL COMMITTEES

Website

Larry Houbre, Jr., AA1FS

ARES

Rob Macedo, KD1CY

Radio Events

Ron Silvia, WB1HGA

New Building

Roland Daignault, N1JOY



It seems to me ...

de Bob, K1KVV <editor@semara.org>

That too few people are enjoying the fine station SEMARA has 'hidden' away in the Radio Room. Here's a sample report.

FISTS SUMMER SPRINT

The results of the 4 hour contest this afternoon is: 3,743 points (This is a result of working perhaps 2 and half hours total and grabbing multipliers.)

The Icom 706 MK II G was used and performed well. The Tribander was used to work 15 and 20 meters. This antenna did remarkably well! Later in the contest, the antenna was switched to the Log-Yagi (the boss) antenna. This enabled us to work more stations further West. Several QSO's were also made on 40.

There were at least three different occasions when we had a pile-up - once on the Tribander, twice on the "boss" antenna. All three "runs" produced a rate of nearly 1.5 QSO's per minute! Whew! Ready for this ...?? Power out was only 60 watts! (No difference in the number of contacts if the power were set at 100W!)

Come to next FISTS Sprint in the Fall!

de Ron, WB1HGA

I read that MassBay American Red Cross is working on getting more people licensed. Should SEMARA think about encouraging people to get licensed? Or should we just be thankful that Falmouth ARA and Bristol County RA are doing it? And while I am at it - has SEMARA every tried to run a concentrated class on Morse? You know, similar to the License in a Weekend deal except to get people to pass Element 1.

I know we have enough VEs around to be able to run the exam on a Sunday (afternoon?). If the class started with an orientation on a Friday evening, and made sure everyone had a key and code oscillator, I'm sure that a 9-5 session on Saturday could be successful.

I'm thinking of the old WW2 model of having students practice with each other. Is it something we should be doing?

For all you SUDOKU fans, I included one on page 4 of this issue.

HAMMIN' AROUND

Question* G4C03 What sound is heard from a public-address system if audio rectification of a nearby single-sideband phone transmission occurs?

- A. A steady hum whenever the transmitter's carrier is on the air
- B. On-and-off humming or clicking
- C. Distorted speech from the transmitter's signals
- D. Clearly audible speech from the transmitter's signals

* 2004 General Class (Element 3) Question Pool (good thru 2008-06-30)

Answer on page 8



MEETING MINUTES

The July 6, 2006 Business Meeting was called to order at 7:00 p.m. by the President, **Rick Cabral, W1RJG**, with the salute to the flag and a roll call of 28 members. A quorum was present.

Secretary's Report– The minutes of the previous business meeting is accepted as printed in the current issue of Zero Beat.

Treasurer's Report– Absent.

STANDING COMMITTEE REPORTS

Buildings & Grounds– Absent.

Scholarship– Absent.

Technical – Internet wiring has been temporarily repaired. The PC in the main room is now running.

SPECIAL COMMITTEE REPORTS

Website– Absent.

Activities– Absent. Rumors are that a BBQ Chicken dinner is planned for August.

ARES– **Rob Macedo, KD1CY** thanked SEMARA members who participated in the Massachusetts State-wide Hurricane Drill that occurred in early June. He reminded everyone that it is hurricane season and that the VoIP Hurricane Net will be active, when conditions warrant, on IRLP Reflector 9219/EchoLink WX-TALK node 7203. If club members are interested in helping with the net, contact Rob-KD1CY.

Rob announced that he will be doing a Hurricane presentation at Boxboro on Friday, August 25, 2006 from 1-5 p.m. and there will be an ICS-100 class offered from 9-5 on the same day. There will also be a 1-hour presentation on SKYWARN on Saturday, August 26 at noon and an ARES SEC forum at 1 p.m. There will be other emergency communications topics and presentations and forums on Amateur Radio. For more information on the Boxboro Hamfest/New England Division Convention, go to the web site at <http://www.boxboro.org> for details.

Radio Events– Reports success and discussed plans for net year's Field Day. Reminds all that this Saturday is FISTS Summer Sprint. The last Sunday of the month is the Bumblebee sprint. The Lowfers QRP group will hold their next field trip on July 16 – meet at the club at 11 a.m.

New Building – Absent.

COMMUNICATIONS– Absent. Nothing to report.

RATIFICATIONS*– One application for life membership was received from **Levi Maaia, KB1NRU**.

PRESIDENT'S COMMENTS– Need for planning on placing telephone poles along property border.

OLD BUSINESS– None.

NEW BUSINESS

Reading of a proposal to amend the Bylaws: To extend qualifications of all candidates for office. This proposal was signed by five club members and will be voted at the next business meeting. A majority of two-thirds is required for passage.

ARTICLE V.

ELECTED POSITIONS, TERMS OF OFFICE

Section 1. Officers

The officers of this organization shall be President, a Vice President, a Secretary, a Treasurer, and three (3) directors. Said seven officers shall form the Board of Directors. All officers shall be Full or Life members in good standing who are at least 21 years of age and hold a valid Amateur radio license ***and attend 8 regular meetings in the last 12 months at time of nomination. An attendance book shall be made available at each meeting to be signed by members in attendance. The Secretary shall keep such a book and present it to the nominating committee for confirmation.*** The term of office shall be one calendar year. Officers may serve unlimited consecutive terms if re-elected by membership. (new wording in bold, italics and underlined)

VICE PRESIDENT ELECTION*

Dave Goldstein, W1DJG was elected to the office.

FOR THE GOOD OF THE CLUB

No equipment was turned off and nothing was cleaned. Appeals that whoever is last to follow up cleaning the kitchen..

Meeting adjourned at 7:40 p.m.

Submitted by
Ron Silvia, WB1HGA, Secretary



* Motions are voted, and passed, by those present.

WB1HGA



CLUB NOTES

One application was voted life membership at the July 6, 2006 business meeting:

Levi Maaia, KB1NRU.

Welcome to the club!



SEMARA doesn't host exam sessions over the summer. So study in July, relax in August, review in September, and pass in October. *You can do it!*

The next VE Session is not scheduled until Saturday, October 7, 2006. Until then, exams will be available by appointment only. Contact –

Larry Houbre, AA1FS
508-991-6055



VICE PRESIDENT ELECTED

Dave Goldstein, W1DJG, is our new Vice President for the remainder of 2006. He was elected at the July business meeting. Dave joined SEMARA in 1975 and served as President in 1985.

Welcome aboard!

LOCAL NET ACTIVITY

Please support these local nets by checking in!

2-m Roundtable Net held every evening at 7 p.m. Some nights we have a big crowd, other nights we have just a few. All are welcome to join in on the SEMARA Repeater, W1AEC, 147.000+ with a PL of 67.0 Hz..

6-m Net held Wednesday at 8:30 p.m. on 50.200 MHz USB. Bob, N1HCW is net control. Check us out.

3868 kHz SEMARA Morning Net held weekdays from 7:30 - 8 a.m. All are welcome.

SUDOKU

Here's something to keep you occupied while listening for that rare one.

Solution is on page 7.

	4	6	9			8		
	1		4		5	2		
	8		7		6	5		4
7		8		4	3			5
4		3		6				1
1				9		3	4	7
9	2	1					6	
8		5			2		3	9
			8	7	9	1	5	

POINT TO PONDER

"Success has made failures of many men."

~Cindy Adams

Amateur Radio News

LIGHTHOUSE - LIGHTSHIP EVENTS

Plan to take advantage of both *National Lighthouse/Lightship Weekend* and the *International Lighthouse/Lightship Weekend*. The first is sponsored by the Amateur Radio Lighthouse Society and is a regular contest event of the ARLHS.

National Lighthouse-Lightship Weekend –
0001Z Aug 5 - 2359Z Aug 6 CW/SSB

FREQUENCIES (MHz): CW – 1.830, 3.530, 7.030, 14.030, 21.030, 28.030; SSB – 1.970, 3.970, 7.270, 14.270, 21.370, 28.370.

EXCHANGE: Serial number or ARLHS member or lighthouse number, name and S/P/C. For more information: <http://www.arlhs.com>.

LOGS due Aug 31 to Dave Ruch, NFØJ, PO Box 20696, Bloomington, MN 55420-0696.

The second event is not a contest and is sponsored by the International Lighthouse/Lightship Weekend, GM4SUC.

International Lighthouse/Lightship Weekend –
0001Z Aug 19 - 2359Z Aug 20 CW/SSB/Digital

FREQUENCIES: CW – 21 kHz above band edge; SSB – 51 kHz above band edge.

EXCHANGE: Amateur Radio Lighthouse Society (ARLHS) number, if at a lighthouse or lightship (see ARLHS contest, Aug 5-6). For more information: <http://illw.net/index.html>.

Plan on bringing a picnic along with your portable HF rig to any of the Lighthouses/Lightships/Marine beacons in the area. See this link for some sites near you:

http://arlhs.com/awards/US-STATES/usa-state_list.html.

The I.L.L.W. event has been held on the third weekend of August for the last decade. Unlike the ARLHS contest, you must be in or next to the lighthouse or lightship, not just within a visual 1000m as for ARLHS. The reason for this event is to publicize both lighthouses and their natural connection with Amateur Radio. While making contacts with other Lighthouses/Lightships is part of the fun, public exposure takes precedence. It's OK to let the media know that this is happening!

What do you say? Shall we give **Whitey, K1VV** and **Don, N1DT** some company? I know they will plan to be on the air these weekends.

NEED HAWAII?

Here is your chance to get one for your *Worked All States* award.

Hawaii QSO Party – CW/Phone/RTTY/PSK31, sponsored by the Koolau ARC from 0700Z Aug 26-2200Z Aug 27.

FREQUENCIES: 160-10 meters. Categories: SOAB and MS (single or mixed-mode), MM (mixed-mode only). Spotting nets and packet allowed in all classes.

EXCHANGE: RS (T) and S/P/C, maritime region (1-3), or HI county.

QSO POINTS:

20-15-10 meters, Phone – 1 pt, CW/Digital – 2 pts;

40 meters, Phone – 2 pts, CW/Digital – 4 pts;

80 meters, Phone – 4 pts, CW/Digital – 8 pts; 1

60 meters, Phone – 8 pts, CW/Digital – 16 pts.

Score is total points + 150 pts for QSO with KH6J.

For more information:

www.karc.us/hi_qso_party.html.

LOGS due 30 days after contest to kh6j@karc.us or Hawaii QSO Party, PO Box 8960788, Wahiawa, HI 96786-0788.

SODA RUN – WOW...

I really want to thank everyone for their response to my last EMAIL !!!! The response was outstanding!!!

I think we are all set now... **Rick W1RJC** and **Myself W1DJG** will be meeting up with **Don N1PMB** EARLY EARLY. (If I can get Rick to get out of bed that early) and possibly **Sonny KA1ESG** to grab breakfast (YUM YUM EAT EM UP!!) and head out there. Don has been there before and I will follow him up so I won't get lost like I usually do...

So again a BIG THANKS to everyone who came to the rescue !!!

:O) *Dave Goldstein, W1DJG*

DAVID A. MCCARTHY, N1YG

changed his call last month and is trying to get the word out. **Dave's** old call, as a General, was **N1MCP** and his new call, as an Extra, is **N1YG**.

More SEMARA Stuff

SEMARA RADIO EVENT

National Lighthouse/Lightship Weekend –
0001Z Aug 5 - 2359Z Aug 6 CW/SSB

Since the event runs from 9 PM Friday, Aug. 4 thru 7:59 PM Sunday, Ron has picked Saturday, Aug. 5 for the SEMARA event. Watch the SEMARA Members List for specific details.

Possible options are to activate a lighthouse-lightship by operating within 1000 meters of a visible lighthouse-lightship, ala W1AA, or to just support those who do by operating from the clubhouse.

In any event, here's a chance to get in on the fun. There will be control operators available for those who wish to operate "third-party" to accommodate those who lack HF operator privileges. (We did this for Kid's Day and the youngsters had a ball.)

Just to provide a little motivation, notice that non-ARLHS members are eligible for the following certificates and prizes:

First Prize: The entrant achieving the highest total number of points will receive a choice of prizes from the ARLHS store.

Second Prize: The entrant receiving the second highest total number of points will receive an official ARLHS logo coffee mug from the ARLHS store..

Third Prize: The entrant receiving the third highest total number of points will receive a certificate of recognition.

A *certificate* is available with endorsements for those who work at least 50 lighthouses or at least 100 members of the ARLHS.

Another *certificate* is available for those who work the **club station, KC2HOU**, during this event. The fee for each certificate is \$2.00 + a SASE with sufficient postage. SASE is required for all certificates.

The ARLHS offers several Awards for contacting light beacons (WAS-LH, WACA-LH, DX-LH, etc.).

See the Society's Award Program web page for details and application forms.

See the ARLHS web page for guidelines for each event: <http://arlhs.com/page3.html>.

Can we spread the word about ham radio while doing our part to keep the flame going for the lights?

~ Bob Kelley, K1KVV

LISTEN UP, EVERYONE

Hear the sound of a ham radio station that is *unprepared* during summer heat waves. Yes, it's the disturbing sound of silence. When you don't prepare, you are off the air in a heat emergency that causes commercial power to drop!

That's when you have to plan for either more battery capacity, as in larger storage cells, or some way to charge batteries without the power mains.

Here are several options:

Solar cell chargers. You can build your own, or buy a solar car battery charger for about the price of a 12 VDC 20 amp power supply. A high capacity trickle-charged battery can keep you on the air during brief outages. Some hams run their stations all the time from trickle-charged automotive batteries or gel cells. There are station design considerations for safe use of such batteries, so do your homework. Some batteries can vent dangerous gases in normal use.

A portable gas generator. Use it for Field Day, but have it ready to go during summer heat. Hint: It won't run without gasoline, which may be hard to come by in a widespread power outage, so you will need to consider how to safely store this volatile fuel!

Buy an **external battery pack** for your HT, or a AA battery back, if your HT supports this feature. Then have extra AA cells on hand. Have several extra rechargeable battery packs available for your HT, and use your computer calendar to remind you to rotate them through the charger regularly. Nothing is worse than being called to an emergency or having a power outage, then discovering that all your batteries are dead!

The ARRL has some articles and resources about alternative and emergency power available online. ARRL emergency and alternative power links:

<http://www.arrl.org/tis/info/emergency.html>.

Adapted from

The Handiham World Weekly E-Letter
for the week of 26 July 2006



LETTER TO THE EDITOR

TWO WAYS TO COMPLAIN

There sure is a lot of complaining going on around SEMARA, and I'm guilty of plenty myself. I have a funny way of complaining about things, then going off and fixing it. When I fix what I complain about, I can then focus my energy and time on something more productive, which usually means I complain about something else and go fix that too.

I'm not just talking about big projects such as rebuilding repeaters, replacing water heaters, or repairing antennas on the club tower, but small stuff too. When I complain about the fridge being empty of soda, I toss a few six packs on the shelf. When the bathroom smelled funny one day, I grabbed the Clorox cleaner and washed the floor. Maybe I've shoveled some snow, washed the kitchen counters, or swapped out a dead light bulb, but pretty much every time I set foot in SEMARA; I look for at least one small task to do. In some large or small way I try to make SEMARA slightly better every time I visit the place.

I have a persistent complaint and I'm not quite sure how to "fix" this problem. It seems people are always complaining, but never taking the time to "fix" the problem. They complain, and complain, but lately never seem to do anything about it. When you get two complainers together, they just feed each others frustration and it seems the desire to fix anything has either faded, or just doesn't exist at all. Why would anybody want to belong to a club that causes them to complain so much and why wouldn't they want to make things better?

I see notes left on the club white board for small jobs such as checking the club batteries. This is a job that has been on the club chore signup sheet for a very long time with nobody stepping up to the task. It's an easy job, but I've seen no volunteers or inquiries on what is required. It's just assumed somebody else will do the job. I've seen notes such as "roof is leaking," but nobody takes the time to tell the Building and Grounds committee specifically where the problem is, or even better, offer to do the repair themselves. How about sealing the two wooden decks? Any volunteers? Both decks could easily be done in an afternoon.

How about the pile of "trash" on the club junk table in the hut? This stuff has been there for many months ready for the trash heap, and practically spilling onto the floor. If everybody took just one item

each visit and tossed it when they got home, the table would be cleaned up in about 2 days. There are several rusted and rotted items that have been behind the back of the hut for who knows how long all waiting for a trip to the dump. Are you planning a trip to the landfill any time soon? Please take one or two items with you on your next visit. Has anybody noticed the broken bottles all along the front and North side of the building? How about spending a few minutes with a rake and shovel and scooping up this dangerous debris? The list can go on and on... There are plenty of jobs around SEMARA that do not require very much skill or energy, just a bit of time and dedication from the members.

Many of today's committee members are professionals, work long hours, have their own homes and families to care for, and any number of personal commitments that are not part of SEMARA. I know I have put aside personal projects and given priority to SEMARA on more occasions than I care to remember. Please be respectful of these folks and remember they are volunteers, and donate their time and expertise to this club of ours for the benefit of all. They should not be expected to be at the beck and call of each and every complainer. We do what we can, when we can, and hope the membership supports us not only morally, but with helping hands. With 300 or so members, and probably 75 who regularly visit the club, hopefully some day the only complaint we will hear is that *there is nothing left to fix!* When you visit the club take a quick look around, and do not be afraid to contribute in some small way every once in a while. It will make a difference, and we all benefit from the effort!

So, how are you going to be complaining at SEMARA from now on?

de Roland - NIJOY

2	5	1	9	7	8	4	3	6
9	3	4	2	1	6	5	7	8
8	6	7	4	5	3	1	2	9
7	4	3	8	9	5	2	6	1
1	8	9	7	6	2	3	5	4
5	2	6	3	4	1	8	9	7
4	1	5	6	3	7	9	8	2
6	9	2	5	8	4	7	1	3
3	7	8	1	2	9	6	4	5

AUGUST VE SESSIONS

Walk-ins permitted unless otherwise noted.
From <http://www.arrl.org/arrlvec/examsearch.phtml>

- none SEMARA Clubhouse — 10:30 a.m.**
Larry Houbre, AA1FS
508-991-6055
*Exams are available at other times
by appointment only*
- 10 Providence, RI — 7:00 p.m.**
Louis Mester, W1CH
401-263-6045
- 12 Falmouth, MA — 9:00 a.m.**
Ben Fleck, W2LYE
508-540-2483
- 17 Canton, MA — 7:30 p.m.**
Lou Harris, N1UEC
508-668-0858
- 19 Slatersville, Ri — 9:00 a.m.**
Robert Jones, WB1P
401-333-4787
- 21 Fall River, MA — 7:00 p.m.**
Skip Denault, KB1CNB
774-644-3469

NE DIVISION FLEA MARKETS

From <http://www.arrl.org/hamfests.html>

- 12 Aug Ledyard, CT**
RASON — Tom 860-596-6930
- 12 Aug St. Albans, ME**
Piscataquis ARC — George 207-965-8864
- 19 Aug St Albans, VT**
StARC Tailgate — Arn 802-285-6457
- 20 Aug Adams, MA**
NoBARC — George 413-443-7539
- 20 Aug Cambridge, MA**
Flea @ MIT — Nick 617-253-3776
- 25-27 Aug Boxboro, MA**
NE Div Conv — Mike 978-250-1236
- 10 Sep S. Dartmouth, MA**
SEMARA Tailgate — Tim 508-758-3680
- 16 Sep Alexander, ME**
St. Croix Valley ARC — Skip 207-454-2156
- 16 Sep Forestdale, RI**
RI Am. FM Rptr. Ser. — Rick 401-864-9611
- 17 Sep Newtown, CT**
W. CT Hamfest — 203-749-1610
- 17 Sep Cambridge, MA**
Flea @ MIT — Nick 617-253-3776
- 6-7 Oct Hopkinton, NH**
HOSSTRADERS — Joe 207-469-3492
- 8 Oct Wallingford, CT**
Nutmeg Hamfest — 203-440-4468
- 15 Oct Cambridge, MA**
Flea @ MIT — Nick 617-253-3776

SOME AUG. CONTESTS

From <http://www.arrl.org/contests/months/aug.html>

- *National Lighthouse/Lightship Weekend —**
0001Z Aug 5 - 2359Z Aug 6 CW/SSB
- International Lighthouse/Lightship Weekend —**
0001Z Aug 19 - 2359Z Aug 20 CW/SSB/Digital
- Hawaii QSO Party — 0700Z Aug 26 -**
2200Z Aug 27 CW/Phone/RTTY/PSK31
* SEMARA RADIO EVENT

AUG. SEMARA EVENTS

- 3—Business Meeting — 7 p.m.**
[no VE Session this month]
- 10—Ragchew — 6:30 p.m.**
- 17—Tech Talk — 7 p.m. TBA**
Topic to be announced
- 24—Ragchew — 6:30 p.m.**
- 31—Ragchew — 6:30 p.m.**
- Ragchew at the clubhouse every Sunday 7 – 11 a.m.**
Drop by and enjoy a cup of coffee and donuts!

C. A public-address system can sometimes rectify (detect) RF signals in much the same way that a radio does. The audio signal is then amplified by the audio device resulting in interference. The amateur's voice will be heard but will be highly distorted.

SEMARA HandiHam Affiliate

Southeastern Massachusetts Amateur Radio Association, Inc., 54 Donald Street, South Dartmouth, MA 02748

LOCAL REPEATER DIRECTORY

Frequency	CTCSS	Call	Location
144			
145.130 -	151.4	WF1A	Cranston, RI
145.150 -	123.0	WAIDGW	Fall River
145.450 -	100.0	W1SYE	Portsmouth, RI
145.490 -	67.0 ¹	KD1CY	Fairhaven
146.655 -	88.5	WA1GPO	Falmouth
146.685 -		N1ZIZ	Plymouth
146.700 -		K1CR	Cranston, RI
146.730 -	67.0	W1SGL	Sandwich
146.760 -		W1HQV	Scituate, RI
146.805 -	67.0	NN1D	Fall River
146.835 -	192.8	WA1QCA	Johnston, RI
146.880 -	100.0	WC1R	Newport, RI
146.940 -		K1KYI	Lincoln, RI
146.955 -	88.5	K1PBO	Dennis
147.000+ SEMARA	67.0	W1AEC	Dartmouth
147.045+	141.3	W1HDN	W Warwick, RI
147.135+	67.0	KA1GG	Taunton
147.165+	67.0	WA1HAH	Exeter, RI
147.180+	67.0	W1MV	Bridgewater
147.195+	127.3	K1SMH	Attleboro
147.330+	173.8 ²	W1AQ	E. Prov., RI
147.345+	88.5	KB1QL	Vineyard

¹IRLP-4617 & E-Link-4611; ²required for use of IRLP-4907

440			
441.400+	100.0	WG1U	Plymouth
442.200+	88.5	KE1AK	Fall River
442.950+	82.5 ⁵	K1RK	Barnstable
443.450+	88.5	K1MYL	Westport
443.500+	141.3 ⁵	K1PBO	Dennis
443.800+	88.5 ³	W1RJC	Dartmouth
443.850+	141.3	AA1PL	Exeter, RI
444.200+	118.8	N1YHS	Bourne
444.250+	141.3 ⁵	WA1GPO	Falmouth
444.350+	88.5	W1ACT	Fall River
444.550+	88.5	W1MV	Bridgewater
447.025 -	77.0 ⁴	N1JBC	Johnston, RI
447.075 -	88.5	N1DZD	Kingston
449.275 -	103.5	W1WNS	W. Bridgewater

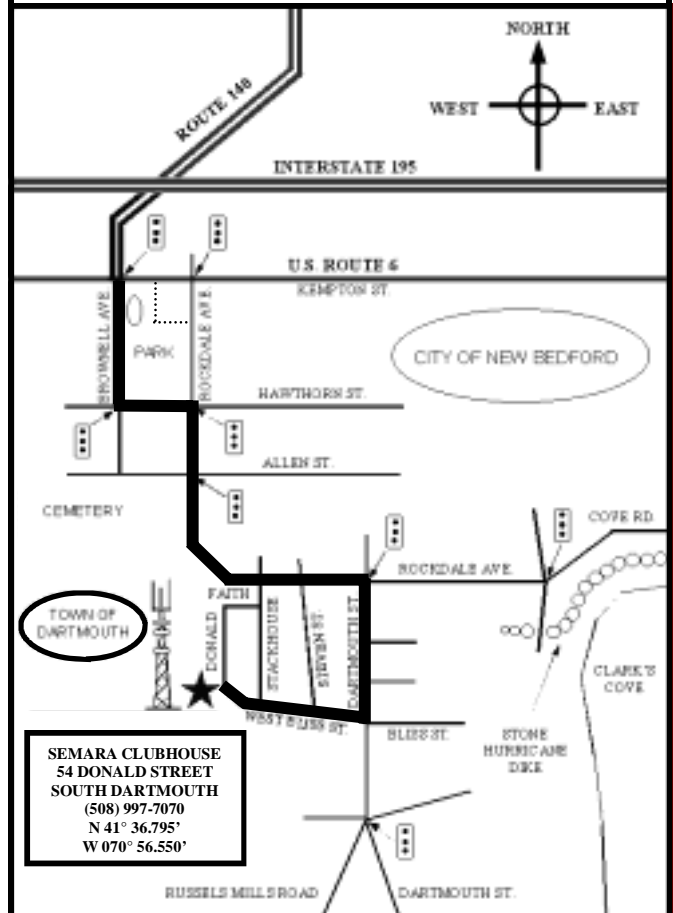
³IRLP-4259 & E-Link-4259; ⁴IRLP-5920 & E-Link-55920; ⁵ Cape Net

FISTS CW no.10555
(Adventure Radio Society)
Bumblebee no. 71

Grid Coordinates:
FN41mo

GPS Coordinates:
Lat. N 41° 36.795'
Long. W 070° 56.550'

Directions to SEMARA



SEMARA ACTIVITY DIRECTORY

— RAGCHEW —

Sat - 8 p.m. 28.700 MHz USB (inactive)
Sun - 8 a.m. 28.700 MHz USB (inactive)
Wed - 8:30 p.m. 50.200 MHz USB
Daily - 7 p.m. 147.000+ SEMARA
Mon-Fri - 7:30 a.m. 3.868 MHz LSB

— WEATHER NET —

Mon-Fri - 8:00 p.m. 145.490- [alt. 146.655-]

— W1RJC Sunday Activities 443.800+ —
9 p.m. - ARRL News followed by Amateur Audio News

— Lowfers QRP Group —

Sun - 11 a.m. - form up at clubhouse - Aug. 13 & 27