



# ZERO BEAT

Southeastern Massachusetts  
Amateur Radio Association, Inc.  
54 Donald Street  
South Dartmouth, MA 02748



Since 1932

Volume 48 Issue 11

SEMARA-W1AEC

November 2012

## 80 Years Ago

### Brief Club History 1932 - 1999\*

The club began in November of 1932. **Alan**



ALAN COOPER  
WIHSR

**Cooper, WIHSR**, announced the formation of the *New Bedford Shortwave Radio Club (NBSWRC)* in the local newspaper. Initial meetings were held in his house at 27 Willard Street in the south end of New Bedford, and later in the City Mission on First Street.

In 1935, the club changed its name to the *New Bedford Amateur Radio Association (NBARA)* and began meeting in the cellar of the Ware Radio store at 813 County Street (Southwest corner of Austin Street). The owner of the store charged no rent. In 1936 the club met in a small storefront building at 165 Summer Street. The club also secured its own call letters, **WIIXF**. In 1937, the club affiliated with the ARRL. From 1937 to 1940 the club met at 47 Sidney Street. Formal club activity ceased during World War II. However, members did meet informally and infrequently in **George Augustine's, WIKHV**, "shack" on Jenkins Street.

In 1947, formal meetings resumed. The name of the club was changed to the *"Southeastern Massachusetts Amateur Radio Association" (SEMARA)* to more closely reflect the area from which its members came. The club also affiliated with the ARRL under this new name in 1947. They met at the WMCA on 6th Street in downtown New Bedford until 1950.

In 1950, the club affiliated with Civil Defense, and began meeting in the Warming House at Buttonwood Park. An antenna was strung from the Warming House to the island in the center of the skating pond. In 1953

the club moved to the northeast corner of Blackmer and South Second Street.

Finally in 1955, the club bought 3 acres of land at the present location (54 Donald Street) in Dartmouth, MA. The initial purchase was by way of a trust setup by three members. The club was at the end of a dirt road on land that was used as a town dump for many years. The original Quonset hut clubhouse was a restaurant called "Wally's Hut" on Rockdale Avenue just east of Dartmouth Street. It cost more to move it than to buy it! In 1955, the membership voted to change the club's call to **W1AEC** in memory of member **Kenneth Dyer** who died at sea in 1950 when the scalloper "Four Sisters" sunk. The club uses that memorial call to this day.

In 1958, the club incorporated in the Commonwealth of Massachusetts as a nonprofit organization, and purchased the land and clubhouse from the three trustees. In 1965, the club newsletter **ZERO BEAT** began publication.

In June of 1974, the club put a two meter repeater (**WR1ADR**) on the air from **Dick Hay's (WILE)** house on Smith Neck Road in Dartmouth. A 100 foot high repeater tower was erected on club property the fall of same year to host a new repeater being built. The new repeater would have a feature all the members wanted: autopatch! In the spring of 1975, the new club repeater went on the air from the club's property. The original tower proved to be inadequate for the coverage desired. The tower was therefore extended to a height of 160 feet in the fall of 1975.

In 1977, the membership built a new meeting hall in front of the old Quonset hut.

In 1999, the 160 foot tower was replaced with a 180 foot communications tower in the woods to the rear of the property under a lease agreement with NETCOM, Inc.

\* Taken from the website, based on "History of the Association, 1932-1999" compiled by Bill Miller, K11BR



1932 OFFICERS

**ZERO BEAT**

Published online monthly

©2012 Southeastern Massachusetts  
Amateur Radio Association, Inc.  
54 Donald Street  
South Dartmouth, MA 02748  
(508) 997-7070

&lt;&lt;&lt;&lt; @ &gt;&gt;&gt;&gt;

EDITOR: Bob Kelley—K1KVV  
E-mail: [editor \[at\] semara \[dot\] org](mailto:editor[at]semara[dot]org)  
SEMARA: <http://www.semara.org>  
E-mail: [w1aec \[at\] semara \[dot\] org](mailto:w1aec[at]semara[dot]org)

&lt;&lt;&lt;&lt; @ &gt;&gt;&gt;&gt;

**2011 SEMARA OFFICERS**

President  
Marcel Dumont—W1MLD  
Vice President  
Joe Krisnowsky—N1IXC  
Secretary  
Marc Dumont—KB1ODE  
Treasurer  
Mike McDonald—KB1NB

&lt;&lt;&lt;&lt; @ &gt;&gt;&gt;&gt;

**Directors:**

Andy Reuter—WA1FNM  
Brad Paiva—W1BEP  
John Walsh—WA1LSH

&lt;&lt;&lt;&lt; @ &gt;&gt;&gt;&gt;

**Trustees: (year term is up)**

Henry Blanchett—W1GYL (2012) ch.  
John Walsh—WA1LSH (2013)  
Louis Mester—W1CH (2014)  
Joe Krisnowsky—N1IXC (2015)  
Dick Halliwell—K1AHA (2016)

&lt;&lt;&lt;&lt; @ &gt;&gt;&gt;&gt;

**STANDING COMMITTEES**

Building and Grounds  
Marty Jordan—KA1YFV  
Tony Lessa—KB1UAM

**Scholarship**

Sonny Eddleston—K1USW – chair  
Chuck Moszczenski—KB1FRL  
Alan Dulong—WB1FQP  
Joe Krisnowsky—N1IXC

**Technical/Repeater/Website**

Dave Goldstein—W1DJG: Technical  
Rick Cabral—W1RJC: Repeater  
Rick Cabral—W1RJC: Website  
Ben Jackson—N1WBV: facebook

&lt;&lt;&lt;&lt; @ &gt;&gt;&gt;&gt;

**SPECIAL COMMITTEES**

Activities  
VACANT

ARES/SKYWARN/RACES(ACS)  
Rob Macedo—KD1CY

QSL Manager  
John Nery—WA1ESO

Radio Events  
Bob Kelley—K1KVV

Tech Talk  
Brad Paiva—W1BEP

*It seems to me ... de Bob - K1KVV, Editor*

**that** I am suffering from ‘burnout.’ It is becoming increasingly more difficult for me to fill the pages. That’s why this issue is so brief. If you would like more content, then supply it. Tell me what you want to read about.

**Whiskey One Alpha Echo Charlie**

What about **W1AEC**’s radio activity? Some folks like to use “*Whiskey One Atomic Energy Commission*.” There are several opportunities for the membership of SEMARA to be “radio active” and make their presence known on the airwaves. See the last page for some radio events. Look at <http://www.arrl.org/contest-calendar> for a more complete list of ARRL and non-ARRL radio events.

**Tech Talk Update**

**Brad (W1BEP)** in charge of **Tech Talks** for the past eighteen months or so. And a few months ago, it was voted at a business meeting to have the *Tech Talks* piggyback each business meeting instead of on the third Thursday of the month.

**Elections for 2013 Officers, Directors and one Trustee.**

Be sure to come to the *December* business meeting to vote for next year’s leaders of the club. You’ll be glad you did - otherwise you can’t ‘comment’ for the whole year!

**POINT TO PONDER**

“The best way to predict the future is to invent it.”

~Alan Kay

**HAMMIN’ AROUND**

**Question\* G9C06** Which of the following is a reason why a Yagi antenna is often used for radio communications on the 20 meter band?

- A. It provides excellent omnidirectional coverage in the horizontal plane
- B. It is smaller, less expensive and easier to erect than a dipole or vertical antenna
- C. It helps reduce interference from other stations to the side or behind the antenna
- D. It provides the highest possible angle of radiation for the HF bands

\* 2015 Element 3 General Class Question Pool (good thru 2015-06-30)

Answer on lastpage.

# Club Notes

**November** is the month when Daylight Savings ends. It's good for the early risers in the club. They can get together for breakfast and have some light. The rest of us will just have to adjust to the earlier arrival of darkness.



It looks like there are some significant happenings in the offering. Stay tuned for news about the renewed antenna 'farm.' Keep your fingers crossed for the addition of a 'radio shack' to replace the old Quonset hut lost to the oil spill.



## VE Exam Results

Two applicants passed exams at the October 6 session.

**Richard M. Orluk, K1XRN** and  
**Robert J. Peckham, KA1YDG**  
passed the General class exams.

*Enjoy your new privileges!*



## New Members

Two new members were admitted to Life Membership at the October 4 Business meeting. Welcome to the club.

**Ralph Swenson (N1YHS)** and  
**Brian Donohoe (KBIYOU)**

*Welcome to the club!*



*See the listings on the last page for some great radio events this month.*

Watch our website for the latest postings: <http://semara.org>.

### NEXT VE SESSION @ SEMARA

December 1, 2012

Clubhouse @ 10:30 AM

Contact: Larry Houbre-AA1FS

[exams\[at\]semara\[dot\]org](mailto:exams[at]semara[dot]org)

508-991-6055



## Club Numbers

GPS Coordinates:

Lat. N 41° 36.795' Long. W 070° 56.550'

Maidenhead Grid Coordinates: FN41mo

For FISTS Sprints: FISTS #10555

## LOCAL NETS

**Everyone is welcome to check in!**

**147.000+** (PL 67.0 Hz) (FM) — Massachusetts RACES/ACS Drill (Region 2, Sector A) is held on the first Monday of the month at 7:30 PM.

**50.200 MHz** (USB) — Net is held Wednesdays at 8:30 PM. **Dick, K1AHA** (Dartmouth) is net control.

**28.490 MHz** (USB) — Net is held Tuesdays at 8:30 PM. **Dick, K1AHA** (Dartmouth) is net control.

**3868 kHz** (LSB) — SEMARA Morning Net is held weekdays from 7:30-8 AM ET.

## LOCAL REPEATER DIRECTORIES

See <http://www.nerepeaters.com/se.htm>

144 (<http://www.nerepeaters.com/2m.htm>)

222 (<http://www.nerepeaters.com/222.htm>)

440 (<http://www.nerepeaters.com/440.htm>)

902 (<http://www.nerepeaters.com/902.htm>)

## Sudoku

Here is another Sudoku puzzle to solve while waiting for the net to start. (Solution on p. 6.)

			1	7			5	6
1	2				4			
7	6	5			3			
5	9	4						8
2		1						5
						4		
	7					1	9	
	1			9	7		8	2
		8		2			4	

# Official Meeting Minutes



**October 4, 2012**

The meeting was called to order at 7:06 p.m. by the President, **Marcel (W1MLD)** with salute to the flag. The roll was called with 18 members and 2 guests present.

## SECRETARY'S REPORT

A motion was made, seconded and unanimously voted to dispense reading the report and accept as posted in *Zero Beat* and on the bulletin board.

## TREASURER'S REPORT

The Treasurer, **Mike (KB1NB)** reported income of \$5617, expense of \$256 with a net worth to date of \$50,419. Two checks have been received from NETCOM, whose balance is approximately \$13,825.

## SPECIAL COMMITTEES

### Activities

There was some discussion on the floor regarding the possibility of a dinner or Christmas party.

### Radio Events

**Bob (K1KVV)** spoke of a Jamboree event involving scouting. **Paul (K1PGS)** spoke about a Coast Guard Reserve event for October 20.

### Repeater

**Chris (W1EAV)** spoke on behalf of **Rick (W1RJC)** who stated that the 900 and 200 repeater systems are working; however, neither are connected to their IRLP nodes due to issues from a recent power outage.

## RATIFICATION OF NEW MEMBERS

Two applications for life membership were received. Both **Ralph Swenson (N1YHS)** and **Brian Donohoe (KB1YOU)** submitted applications. A motion was made, seconded and unanimously approved to accept both as Life Members.

## OLD BUSINESS

The President, **Marcel (W1MLD)** spoke about NETCOM and the proposed building addition. One of two potential buildings was available. After discussion a motion was made, seconded and unanimously voted to pursue the old NEXTEL building as a possible addition to the existing building. More details will be worked out over the next month.

In other business, work on the Log Periodic antenna is progressing well.

It was also noted that the grant applied for by the Police Department for a generator had been denied. The

President, **Marcel (W1MLD)** also summarized the past Board of Directors meeting.

## NEW BUSINESS

There was some discussion regarding the status of the antenna on the short tower. A motion was made, seconded and unanimously voted to purchase a rotor as needed for the tower with the appropriate specifications and for a cost of approximately \$500.00 to be first approved by the Finance Committee.

## ADJOURN

A motion was made, seconded and unanimously approved to adjourn at 8:12 p.m.

Respectfully Submitted,

**Marc M. Dumont (KB1ODE)**, *Secretary*



### 50/50 RAFFLE

The 50/50 raffle was won by Paul (K1PGS) and the split was \$15.50/\$15.50



## Tech Talk information

**Brad (W1BEP)** has been in charge of **Tech Talks** for about eighteen months. A few months ago, it was voted to have the **Tech Talks** piggyback each business meeting.

The only problem is, Brad is very busy and you have not been contacting him with your **Tech Talk** topic.

So – to help move things along – you can contact him by emailing him at [bradsaf \[at\] verizon \[dot\] net](mailto:bradsaf@verizon.net).

If you want some publicity before the fact, just post your **Tech Talk** info on the reflector:

[discussion \[at\] semara \[dot\] org](http://discussion[at]semara[dot]org).

# SEMARA News

## Living On the Edge

*(The ARRL originally published in this on 27 Oct 2010, just before CQ WW SSB. Its message is just as important today - do you know where your sidebands are?)*

With the ARRL November Sweepstakes coming up and the 40 meter band allocations having evolved rapidly over the past few years, it's worth taking a few minutes to review some do's and don'ts, particularly for US operators.

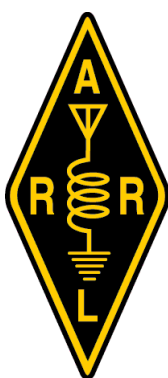
First, the lower edge of the US phone band is 7.125 MHz - not 7.100 MHz. The requirement is for you to keep your signal above 7.125 - **all of it**. If you are using LSB, the frequency display of your radio shows the carrier frequency and that has to be high enough to keep the sidebands of your signal inside the phone band. What does that mean? According to the FCC in Part 97.3a, *everything stronger than 26 dB below the mean power of the signal counts as the signal's bandwidth*.

Make sure your signal is clean and that the rig's displayed frequency of your carrier is far enough from the band edge to stay legal!

Without getting into a huge derivation of carrier suppression and the effects on bandwidth of audio and RF compression and distortion, let's just say that you should tune no lower than 7.1275 or 7.128 MHz to be sure of "coloring inside the lines." I'm sure some enterprising contest station outside the US will set up shop with a carrier frequency of 7.125 MHz, but just don't call them. If you have a connection to the spotting network, you can always post a spot that says, "XYØZZ 7.125 Not Legal for US Phone Band" and perhaps they (and those calling) will see it and move.

A similar problem over the past couple of years has been stations at the top end of 20 meters with their USB carrier frequency above 14.3475 - you're out of the band, folks! Again, just don't call them - these are not the usual frequencies for rare stations.

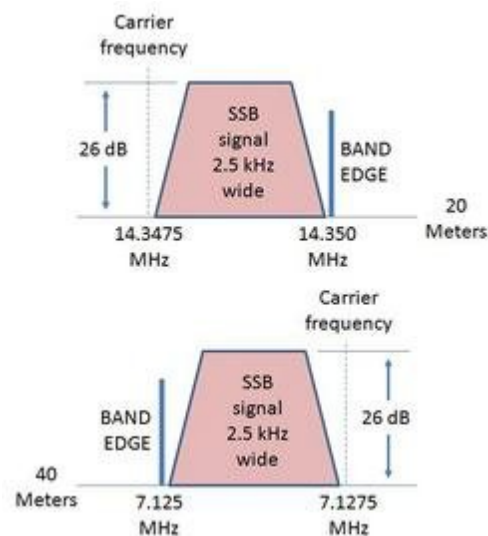
Another "gotcha" is caused by jumping to that freshly posted spot and giving your call without looking closely at the frequency. ***DX stations can operate well below 7.125 MHz, 14.150 MHz, and 21.200 MHz*** - don't call them there! In every contest, you can hear a steady stream of US stations well outside the US band who should know better. If you can program your radios not to transmit outside the US segments or set up your spotting network filters or logging program not to tempt you with out-of-band spots, do so. That way, in the heat of battle, you won't make a mistake. Or be tempted to "make a mistake."



As you get ready for the ARRL November Sweepstakes, remember to play nice. Have fun, definitely, but be sure to set good examples for good operating and clean signals. The world does listen - especially when you're living on the edge!

73, Ward NØAX

***This article assumes your SSB signal is 2.5 kHz wide. If you are transmitting 'broadcast-quality' audio [using a high quality Heil mike, for example], your audio could be in excess of 6 kHz. So adjust your band-edge offset accordingly: ± 6 kHz***



**Some Radio Events**

<http://www.arrl.org/contest-calendar>

Nov 3, 0000Z-Nov 4, 2359Z 50-1296  
**ARRL EME Contest**

[www.arrl.org/contests](http://www.arrl.org/contests)

Nov 3, 2100Z-Nov 5, 0300Z 1.8-28  
**ARRL November Sweepstakes (CW)**

[www.arrl.org/contests](http://www.arrl.org/contests)

Nov 10, 1400Z-Nov 11, 0200Z 1.8-28 50  
**Kentucky QSO Party**

[www.wkdx.org](http://www.wkdx.org)

Nov 10, 1900Z-Nov 12, 0500Z 1.8-28 50-440  
**CQ WE (Western Electric)**

[cqwe.cboh.org](http://cqwe.cboh.org)

Nov 17, 2100Z-Nov 19, 0300Z 1.8-28  
**ARRL November Sweepstakes (Phone)**

[www.arrl.org/contests](http://www.arrl.org/contests)

**Digital**

Nov 4, 1100Z-Nov 4, 1700Z 28  
**DARC 10-meter Digital Corona**

[www.darc.de/referate/ukw-funksport](http://www.darc.de/referate/ukw-funksport)

Nov 10, 0000Z-Nov 11, 2400Z 3.5-28  
**Worked All Europe DX Contest**

[www.waedc.de](http://www.waedc.de)

Nov 10, 0001Z-Nov 11, 2359Z 28  
**10-10 Fall Digital QSO Contest**

[www.ten-ten.org](http://www.ten-ten.org)

**Local VE Sessions**

<http://www.arrl.org/>

[find-an-amateur-radio-license-exam-session](http://www.arrl.org/find-an-amateur-radio-license-exam-session)

Walk-ins permitted unless otherwise noted.

**SEMARA – 10:30 AM** Dec 1<sup>th</sup>

Larry Houbre-AA1FS  
[exams \[at\] semara \[dot\] org](mailto:exams@semara.org)  
 508-991-6055



Falmouth, MA – 9:00 AM Nov 3<sup>rd</sup>

W. Ben Fleck-K2LYE  
[BenFleck \[at\] verizon \[dot\] net](mailto:BenFleck@verizon.net)  
 508-540-2583

Providence, RI – 7:00 PM Nov 8<sup>th</sup>

Louis Mester-W1CH  
[W1CH \[at\] arrl \[dot\] net](mailto:W1CH@arrl.net)  
 401-263-6045

**Coming FLEAS & FESTS**

[www.arrl.org/hamfests/search](http://www.arrl.org/hamfests/search)

- 2 Nov Feeding Hills MA  
**HCRA \*\* CANCELLED \*\***  
Jim KK1W 413-237-4666
- 3 Nov Bourne MA  
**FARA Fest 2012**  
Ralph N1YHS 508-548-0422
- 3 Nov Londonderry NH  
**IRS** Chris KB1QVM 603-434-6137

**Answer: HAMMIN' AROUND**

*Which of the following is a reason why a Yagi antenna is often used for radio communications on the 20 meter band? C. It helps reduce interference from other stations to the side or behind the antenna*

**Answer: Sudoku <sup>19</sup>**

7	4	9	1	2	3	8	5	6
2	8	5	7	6	4	9	1	3
3	6	1	5	9	8	2	7	4
1	2	4	9	3	5	7	8	6
5	9	6	8	4	7	1	3	2
8	3	7	6	1	2	4	9	5
4	1	2	3	8	9	5	6	7
9	7	8	4	5	9	3	2	1
6	5	3	2	7	1	9	4	8

**CLUB ACTIVITIES**

**BUSINESS MEETING**

First THURSDAY of the month @ 7 pm

**Sunday RAGCHEW**

7-10 am

**Thursday COFFEE CROWD**

Dunkin Donuts @ Bliss Corner, Dart. @ 1 pm

**Friday LUNCH BUNCH**

Leave for LUNCH at 12 noon  
 Gather @ clubhouse before 12  
 or phone/call ahead